



By far the most humane

## INSTRUCTION MANUAL

# IM INJECTION RIFLE

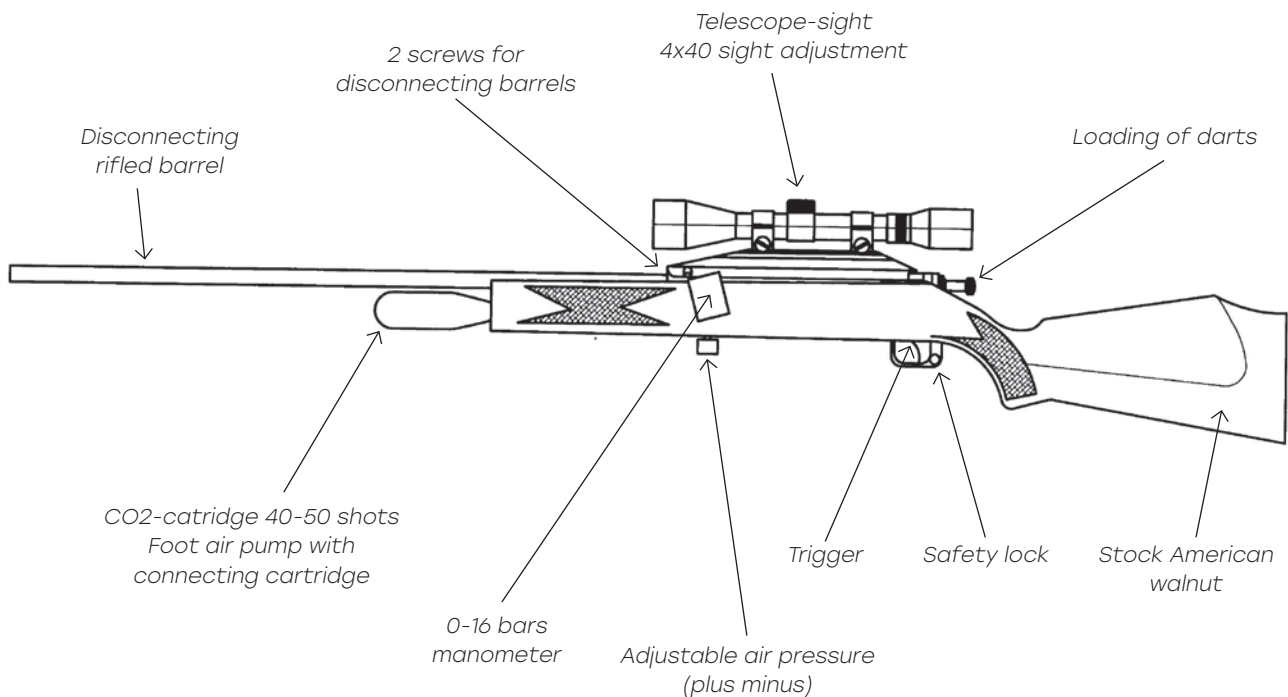
Professional and humane equipment  
for immobilization and treatment



## MODEL

### Product No.

IM CO2-Injectionrifle



## ACCESSORIES

### The rifle can be delivered in two versions:

- In a special produced weapon-transport case.
- In a paper box where the rifle barrel is disconnected.

With delivery in the weapon-transport case the rifle is ready for use.  
With deliver in the paper box the rifle barrel is disconnected because of the transport.  
Screw the rifle barrel lightly on, the 2 Allen screws must be screw in by using the enclosed allen wrench, and afterwards the rifle must be zeroed again.

All the components are manufactured in black aluminium and brass.  
The components are very weather resistant.



## Targeting of DANiNJECT Injection rifle model I.M.

**When you receive your DANiNJECT CO<sub>2</sub>-Injection rifle please note that the rifle has been zeroed in Denmark at a temperature of 20°C plus.**

**The targeting pressure for model IM:  
6 bars – 20 meters with a 3 ml syringes filled with 3 ml water.**

The injection rifle is used all over the world in difference kind of temperature, therefore it will be a very big advantage to make a new targeting of the injection rifle in the same temperature that the rifle shall be used in.

The targeting of the rifle must preferably take place without wind, as to strong wind can spoil the ranging fire. Use a thick blanket or something similar for the training, zeroed shooting (in such a way that the dart will not be deformed by impact).

Fill 3 ml water in the liquid drug barrel of the syringe and mount the training needle and screw it on tightly using a pointed tong. It is not necessary to load the syringe with air under the test shooting. Only new syringes must be used for targeting as the result can be misleading.

Remember after the targeting to empty the liquid from the training syringe, because if liquid stays in the syringe, the syringe can become deformed.

All darts must be tested before firing from the rifle. Place the dart in the far end of the rifled barrel. Make sure the dart slide freely in this end, as this is where the tolerance between dart and barrel is the smallest. If the dart does not slide freely it has a chance of getting lodged in the barrel.

The rifles barrel is produced in anodized aluminium and brass, therefore you must never use oil or something similar in the rifle barrel, because it can change the speed of the dart.

Use the enclosed cleaning tool and never hard objects, because they can damage the aluminium rifle barrel.



## Pressure table

Following pressure tables have been used through many years without hurting the animals.

The CO<sub>2</sub>-Injection rifle shall be zeroed with a filled 1,5 ml dart or a 3,0 ml dart, by using the following pressure:

**1,5 ml dart: 5 - 5½ bars on 20 meters**

**3,0 ml dart: 6 bars on 20 meters**, then the enclosed table can be used

	Zeroed with 1,5 ml dart filled with 1,5 ml	Zeroed with 3,0 ml dart filled with 3,0 ml
Meters	Bars	Bars
5	2	2
10	3	3
15	4	5
<b>20</b>	<b>5 - 5½</b>	<b>6</b>
25	6½	7
30	8	9
40	10	12

← Zeroed

## Binoculars Adjustment

Remove both binocular covers making adjustment accessible.

The uppermost is for vertical height adjustment.

Horizontal adjustment is on the side of the binoculars. It is specified on the binoculars as to which side either right or left, up or down one must accordingly click-adjust.

The binoculars must have 5-10 clicks at a time if one is able to see a difference at such a short range as 20 meters.

## Mounting a new CO2 container

The O-ring is changed every other time a new CO2-cartridge is fitting.  
The O-ring are enclosed with the purchase of CO2-cartridges.

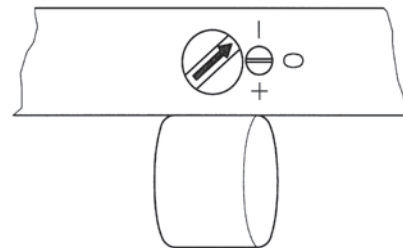
## Removal of shooting unit from shaft

Unscrew the barrel by loosening the 2 allen screws and turn the barrel off. If there is a CO2-cartridge on the rifle it must also be dismantled. The CO2-cartridge must be empty before dismantling. Using an allen wrench remove the grips controlling the air outlet. The 2 screws in the shaft are removed. Press the trigger quad lightly upwards and the shooting unit is retracted at an angle.

The same procedure when inserting the shooting unit.

### IMPORTANT

Regulate minus and plus valve on **minus**, when the injection rifle is not in use.



## Foot air pump instructions

1. Fit the CO2-dummy on the injection rifle.
2. Regulate plus and minus valve on plus and pump the rifle to the wanted pressure.
3. When the wanted pressure is achieved put the plus and minus valve on O.
4. Afterwards pump more pressure in the CO2-dummy, giving an overpressure you can make use of.

### REMEMBER

If the CO2-cartridge is mounted on the injection rifle you must be sure that it is empty before the CO2-dummy is mounted.

## Warning

### Must be read before use

- There must be pressure on the rifle before the dart is inserted.
- Regulate minus & plus valve on **minus**, when the rifle is not in use.
- The CO<sub>2</sub>-cartridge must not be exposed to more than 60.0°C.
- The CO<sub>2</sub>-cartridge is screwed on by hand (anti clockwise).  
Do not use force or tools.

CO<sub>2</sub>-cartridge



- Dismantling of full CO<sub>2</sub>-cartridge takes place by turning the cartridge clockwise a couple of times, so that the CO<sub>2</sub> seep out. The CO<sub>2</sub>-cartridge must only be completely removed, when the cartridge is empty.
- **The CO<sub>2</sub>-cartridge must not be dismantled with a dart in the barrel.**
- The safety catch is tested regularly without a dart in the barrel.
- Do not take the rifle's shooting unit apart, as leakage and malfunction can result.
- Manometer pressure must not exceed more than **16 bars**.
- The rifle must only be used by veterinary surgeons and the like.

**DANiNJECT ApS does not compensate damage caused by the injection rifle.**